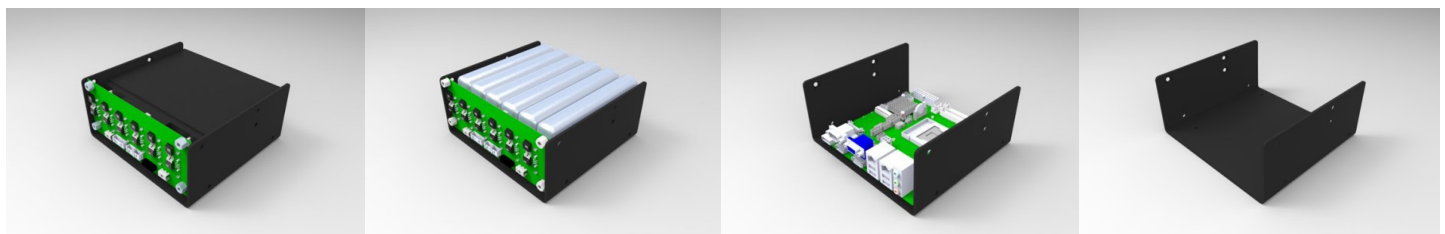


TECHNICAL SPECIFICATIONS



	DINGO-D Differential Drive	DINGO-O Omnidirectional Drive
SIZE AND WEIGHT		
EXTERNAL DIMENSIONS	551 x 517 x 110 mm (21.7 x 20.3 x 4.33 in)	686 x 517 x 114 mm (27 x 20.3 x 4.5 in)
WEIGHT	9.1 kg (20 lbs)	13.0 kg (28 lbs)
OBSTACLE CLEARANCE	14 mm (0.55 in)	16 mm (0.63 in)
SPEED AND PERFORMANCE		
DRIVE CONFIGURATION	Differential	Omnidirectional
MAXIMUM MODULES (see below)	2	4
MAX PAYLOAD	20 kg (44 lbs)	20 kg (44 lbs)
MAX SPEED	1.3 m/s (2.9 mph)	1.3 m/s (2.9 mph)
OPERATING ENVIRONMENT	Indoor	Indoor
BATTERY AND POWER SYSTEM		
BATTERY CHEMISTRY	Lithium Ion or Sealed Lead Acid	Lithium Ion or Sealed Lead Acid
USER POWER	20A @ VBAT (11-16.8V), ~7A @ 12V, 5A @ 5V	20A @ VBAT (11-16.8V), ~7A @ 12V, 5A @ 5V
POWER	80W Typical Use	170W Typical Use
INTERFACING AND COMMUNICATION		
CONTROL MODES	Kinematic commands, Open loop motor driver commands (voltage), Wheel velocity commands	Kinematic control, Individual wheel velocities
FEEDBACK	Battery and motor current; Wheel velocity and travel; Onboard IMU	
COMMUNICATION	Ethernet, USB 3.0, RS 232	
INCLUDED ACCESSORIES	Playstation controller (with purchase of a computing module)	
DRIVERS AND APIS	ROS Kinetic, Gazebo, MoveIt! Support	

Dingo's battery and computing configuration can be fully customized and tailored to your application using the following standard modules. Dingo-D and Dingo-O's chassis allows for up to 2 and 4 modules, respectively.



LEAD ACID BATTERY MODULE

Capacity: 18 Ah at 12v
 Operating Time

- Dingo-D: 2 hrs
- Dingo-O: 1 hrs

Charge Time: 4 hrs

LITHIUM ION BATTERY MODULE

Capacity: 28.5 Ah at 14.4v
 Operating Time

- Dingo-D: 4 hrs
- Dingo-O: 2 hrs

Charge Time: 8 hrs

COMPUTING MODULE

Mini-ITX Computer or
 NVIDIA Jetson Developer Kit

EMPTY MODULE

For custom payloads and accessories

CONTACT US FOR MORE INFORMATION

Clearpath Robotics Inc.
 1425 Strasburg Road, Unit 2A
 Kitchener, Ontario
 N2R 1H2, Canada

TEL: 1-800-301-3863
FAX: 1-888-374-0091
 @: info@clearpathrobotics.com
WEB: www.clearpathrobotics.com

Don't forget to find us online:



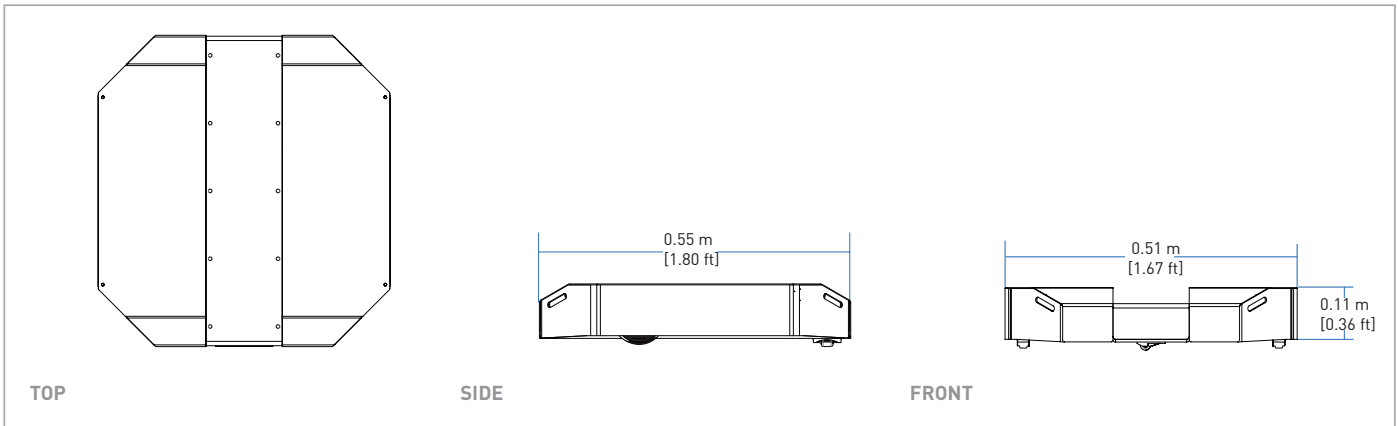
DINGO™

INDOOR ROBOTIC PLATFORM

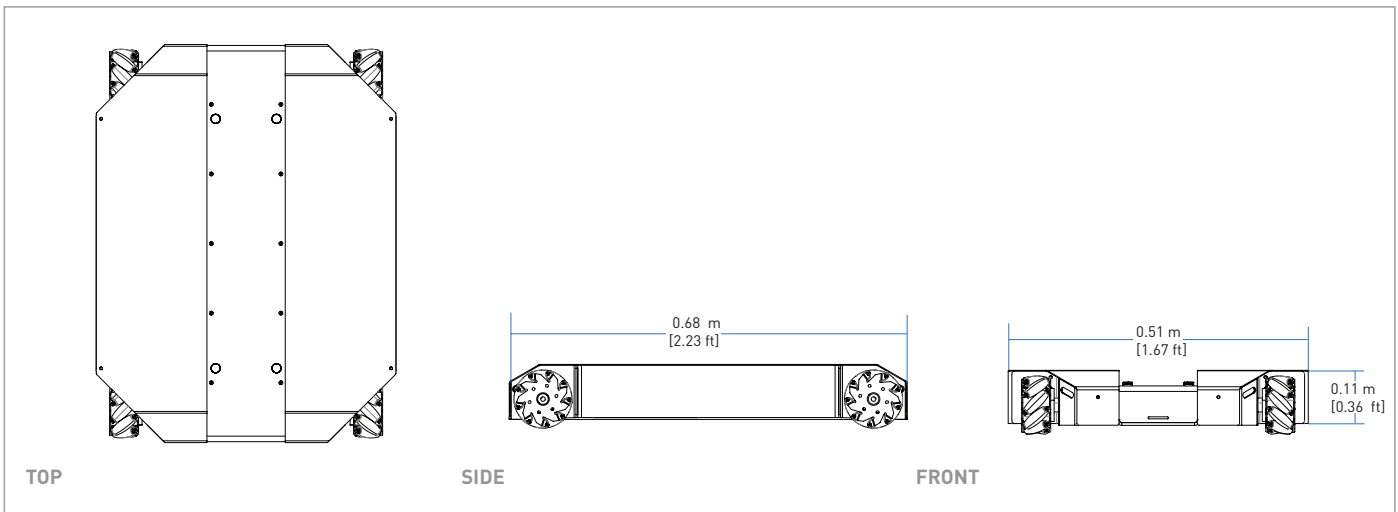


EXTERNAL DIMENSIONS

DINGO-D



DINGO-O



Contact us today for pricing and a free 30 minute technical assessment: 1-800-301-3863