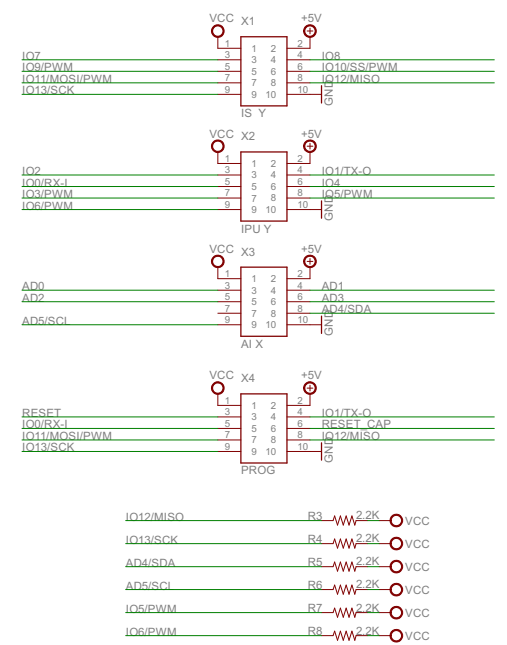


pin IO13/SCK is shared



ATMEGA package courtesy of Sparkfun.com.



GHI Electronics, LLC FEZ Medusa Mini Mainboard	FEZ Medusa Mini
	5/22/2013 7:56:51 AM
	Sheet: 1/1