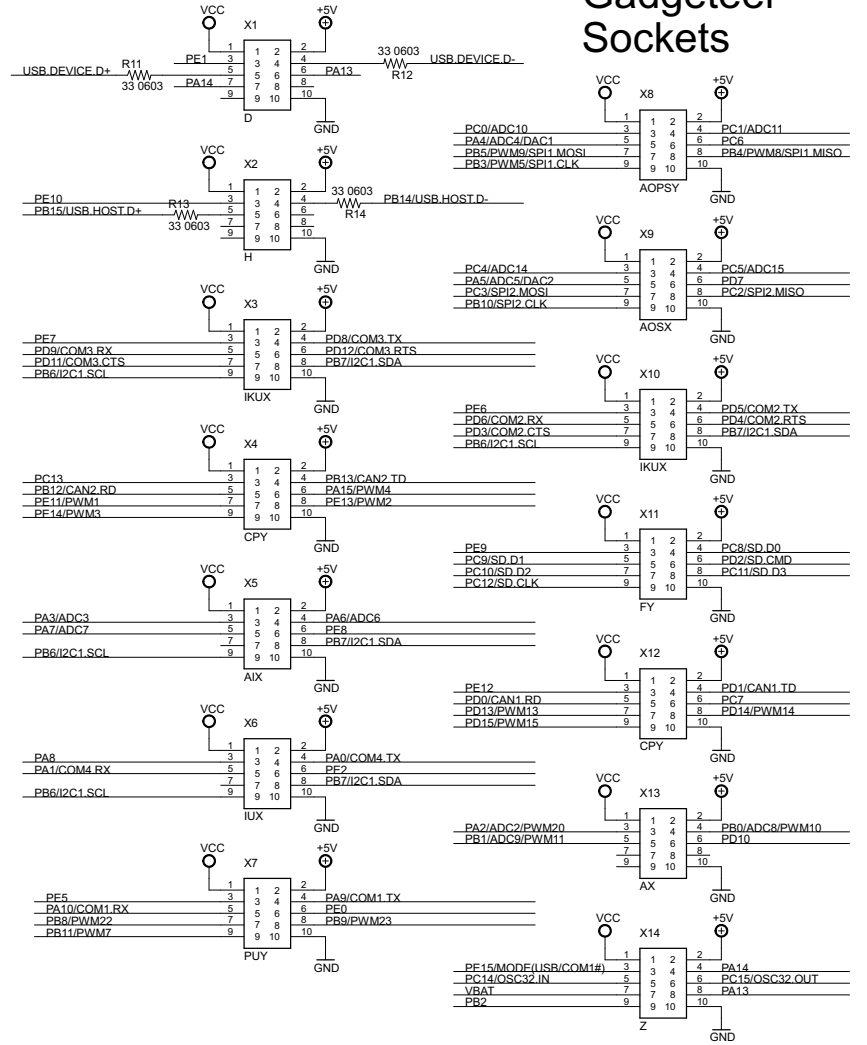
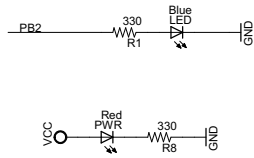


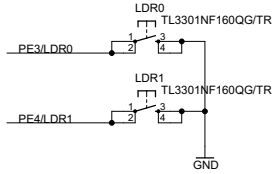
Gadgeteer Sockets



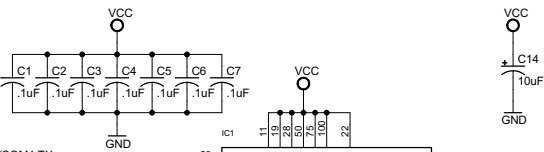
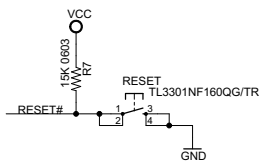
LED



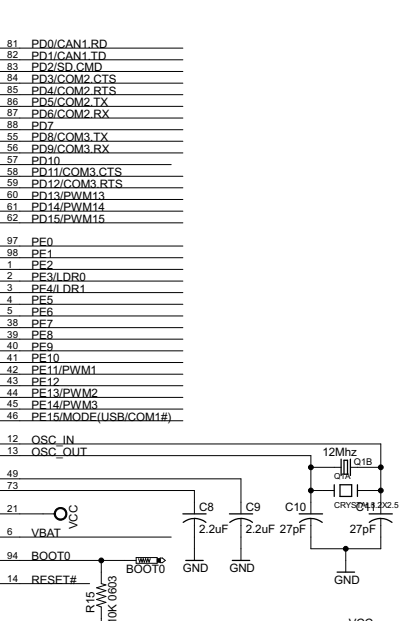
Loader



Reset



PA0/COM4_TX	23	PA0	81	PD0/CAN1_RD
PA1/COM4_RX	24	PA1	82	PD1/CAN1_TD
PA2/ADC2/PWM20	25	PA2	83	PD2/SD_CMD
PA3/ADC3	26	PA3	84	PD3/COM2_CTS
PA4/ADC4/DAC1	27	PA4	85	PD4/COM2_RTS
PA5/ADC5/DAC2	30	PA5	86	PD5/COM2_TX
PA6/ADC6	31	PA6	87	PD6/COM2_RX
PA7/ADC7	32	PA7	88	PD7
PA8	67	PA8	89	PD8/COM3_TX
PA9/COM1_TX	68	PA9	90	PD9
PA10/COM1_RX	69	PA10	91	PD10
USB_DEVICE_D-	70	PA11	92	PD11/COM3_CTS
USB_DEVICE_D+	71	PA12	93	PD12/COM3_RTS
PA13	72	PA13	94	PD13/PWM13
PA14	76	PA14	95	PD14/PWM14
PA15/PWM4	77	PA15	96	PD15/PWM15
PB0/ADC8/PWM10	35	PB0	97	PE0
PB1/ADC9/PWM11	36	PB1	98	PE1
PB2	37	PB2	99	PE2
PB3/PWM5/SPI1_CLK	89	PB3	100	PE3
PB4/PWM8/SPI1_MISO	90	PB4	101	PE4
PB5/PWM8/SPI1_MOSI	91	PB5	102	PE5
PB6/I2C1_SCL	92	PB6	103	PE6
PB7/I2C1_SDA	93	PB7	104	PE7
PB8/PWM22	95	PB8	105	PE8
PB9/PWM23	96	PB9	106	PE9
PB10/SPI2_CLK	47	PB10	107	PE10
PB11/PWM7	48	PB11	108	PE11/PWM1
PB12/CAN2_RD	51	PB12	109	PE12
PB13/CAN2_TD	52	PB13	110	PE13
PB14/USB_HOST_D-	53	PB14	111	PE14
PB15/USB_HOST_D+	54	PB15	112	PE15
PC0/ADC10	15	PC0	113	PH0
PC1/ADC11	16	PC1	114	PH1
PC2/SPI2_MISO	17	PC2	115	
PC3/SPI2_MOSI	18	PC3		
PC4/ADC14	33	PC4		
PC5/ADC15	34	PC5		
PC6	63	PC6		
PC7	64	PC7		
PC8/SD_D0	65	PC8		
PC9/SD_D1	66	PC9		
PC10/SD_D2	78	PC10		
PC11/SD_D3	79	PC11		
PC12/SD_CLK	80	PC12		
PC13	7	PC13		
PC14/OSC32_IN	8	PC14		
PC15/OSC32_OUT	9	PC15		



GADGETEER LOGO

GHI Electronics, LLC

FEZ Panda II

TITLE: FEZ Reaper	
Document Number:	REV:
Date: 6/26/2015 1:40:49 PM	Sheet: 1/2