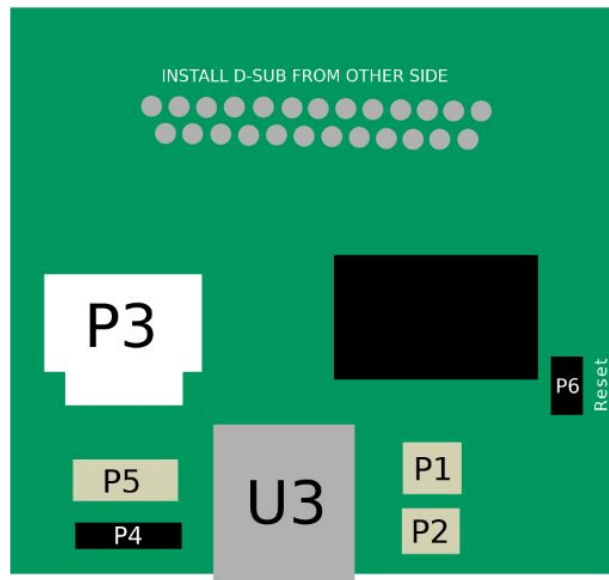




Interface Board Data Sheet

Label	Use	Connector Type	Digikey Part #	Current Rating
P1	VBAT (max 16.8V, min 10V) ¹	Molex 2 POS	WM7662CT-ND	2.5A
P2	5V Power	Molex 2 POS	WM7662CT-ND	1.0A
P3	VBAT (max 16.8V, min 10V) ¹	JST 2 POS	455-2361-ND	20.0A
P4	UART Comms ²	Header 5 POS	---	---
P5	UART Comms	Molex 5 POS	---	---
P6	Reset	Header 2 POS	---	---
U1	DC Step down	N/A	102-1715-ND	1.0A
U2	D-Sub 25pin ³	Custom	---	---
U3	5V Power ⁴	USB Type A	---	---



¹ Unregulated power from the battery

² Only 3 of the 5 pins are used

³ See separate datasheet for pinout

⁴ Not used for communication, only used to access 5V Power