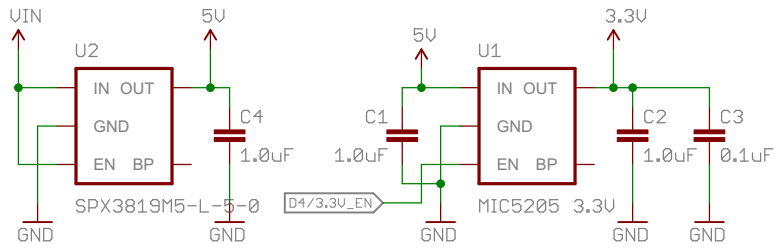
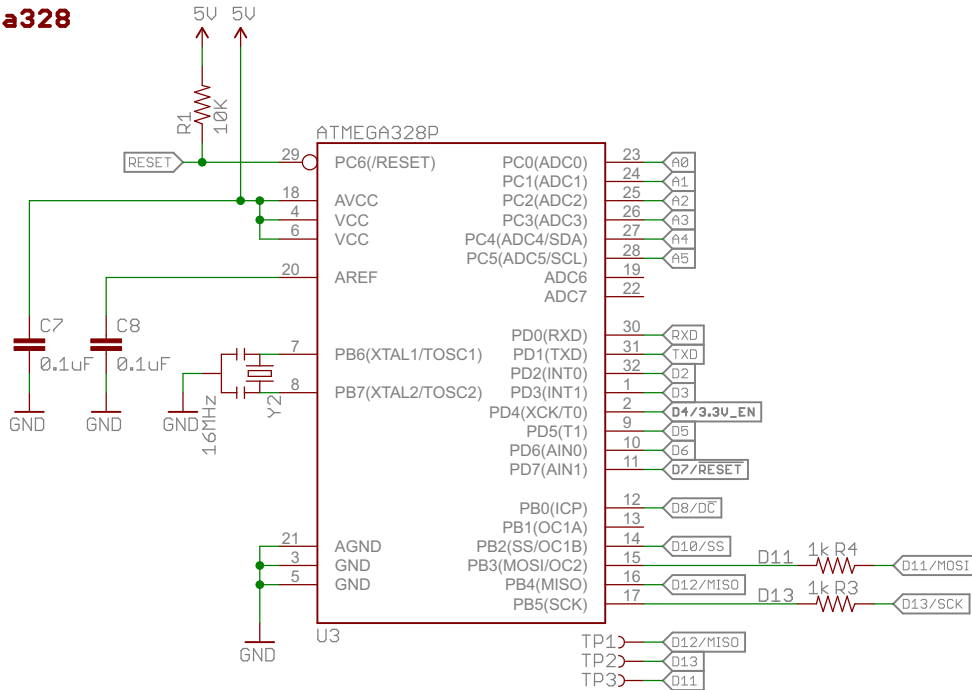


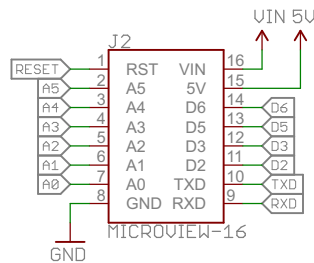
Voltage Regulators



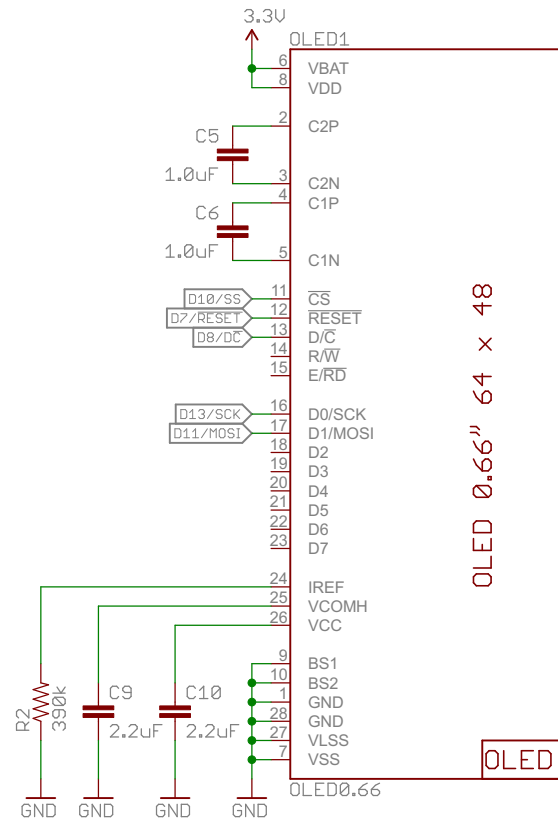
ATmega328



Headers



OLED



sparkfun



open hardware

Released under the Creative Commons Attribution Share-Alike 4.0 License
<https://creativecommons.org/licenses/by-sa/4.0/>

TITLE: MicroView

Design by: **Jim Lindblom, JP Liew, Marchus Schappi**

REV:

Date: 5/13/2014 2:04:08 PM

Sheet: 1/1