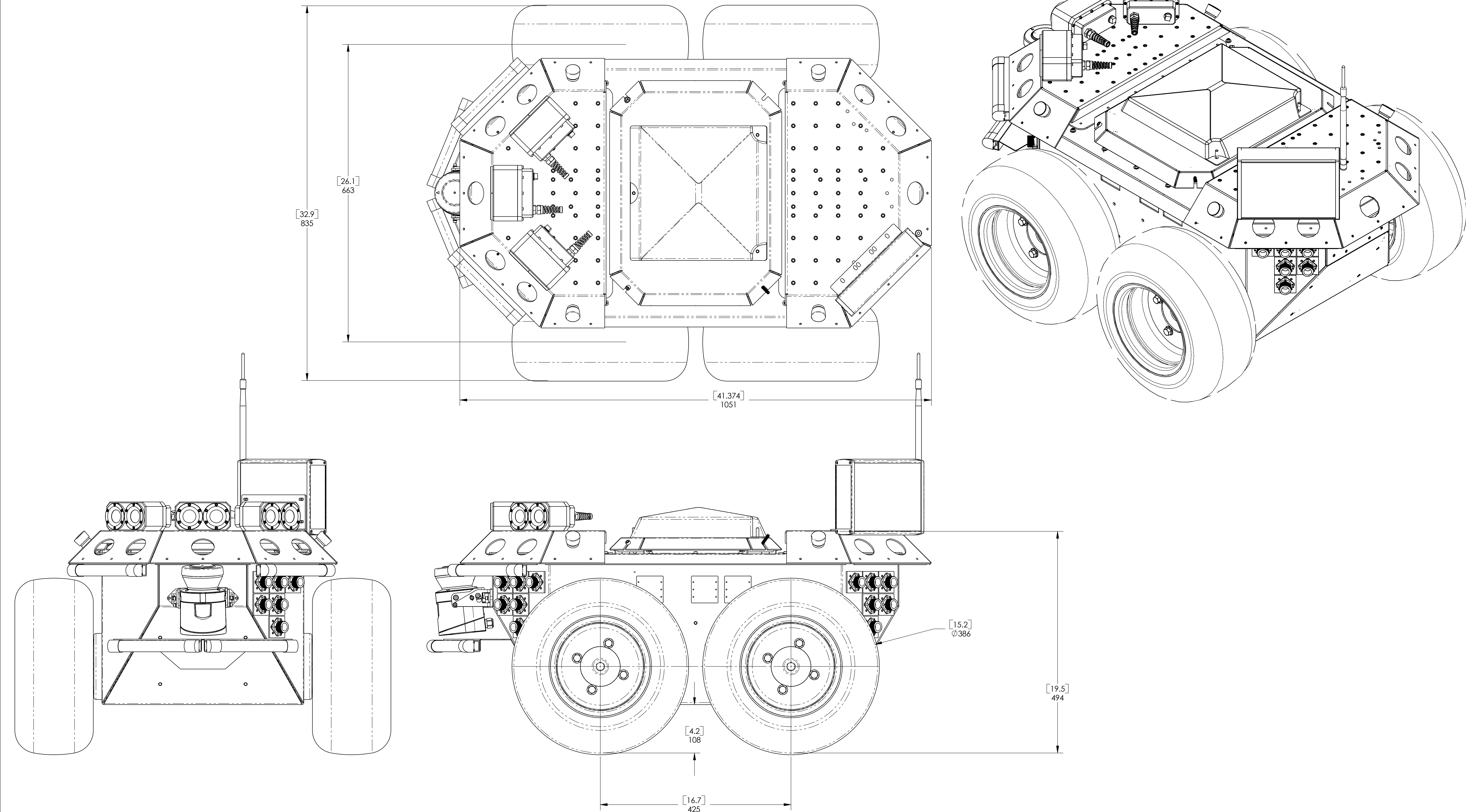


REV	DATE	BY	CHANGE



<small>ALL DIMENSIONS IN INCHES UNLESS OTHERWISE SPECIFIED. TOLERANCES ARE: XXX ± .005 XX.X ± .010 ANGLES ± 1%</small>	<b>MOBILEROBOTS</b>	PART NAME	APPROVED BY	SHEET 1 OF 1	D SIZE
	AMHERST, NH	Seekur Jr			
		MACHINE	SCALE	NONE	R & D PART NUMBER
		Seekur Jr			XXXXXX
			DRAWN BY	DATE	PRODUCTION PART NUMBER
			SEA	04-02-2009	-----
					REV
					-----