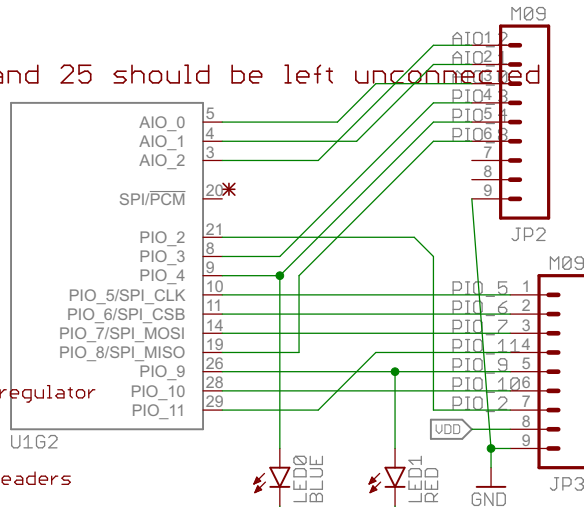


\* pins 20, 22, and 25 should be left unconnected

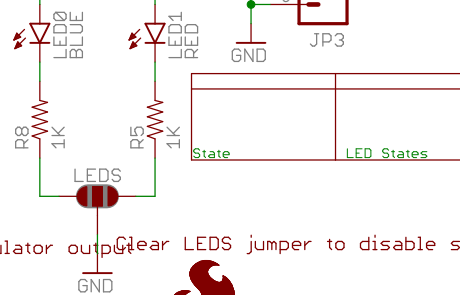
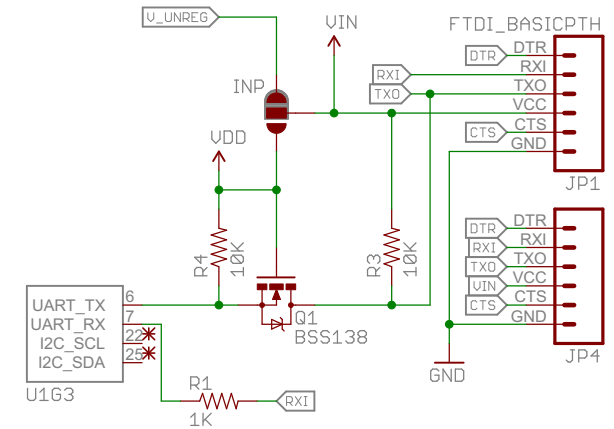


Default: Module supply is 3.3V from onboard regulator

Module supply is tied to VIN/VDD from 0.1" headers

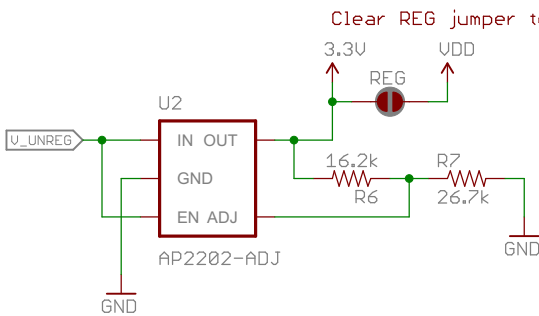
Module supply tied to VDD on 0.1" header

Don't do this! Regulator input tied to output...bad mojo!



Clear REG jumper to disconnect regulator output

Clear LED0 jumper to disable status LEDs



Released under the Creative Commons Attribution Share-Alike 4.0 License <a href="https://creativecommons.org/licenses/by-sa/4.0/">https://creativecommons.org/licenses/by-sa/4.0/</a>	
TITLE: SparkFun_BLEMate2	
Design by: M. Hord	REV: v10
Date: 1/14/2015 2:29:55 PM	Sheet: 1/1