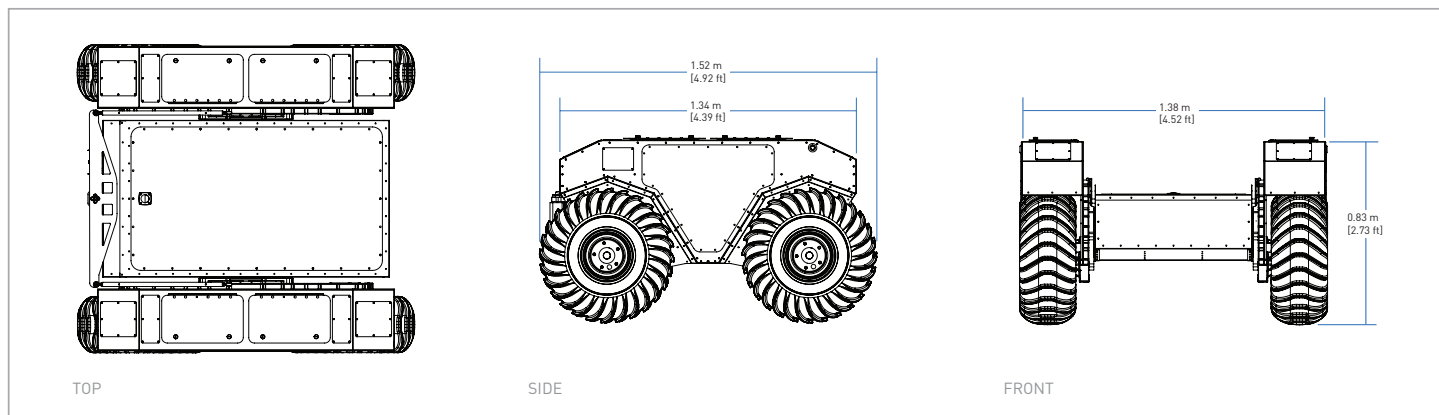


WARTHOG™

AMPHIBIOUS UNMANNED GROUND VEHICLE



TECHNICAL SPECIFICATIONS

SIZE AND WEIGHT	
EXTERNAL DIMENSIONS (L x W x H)	1.52 x 1.38 x 0.83 m (4.9 x 4.5 x 2.72 ft)
BASE WEIGHT (includes base battery pack)	280 kg (551 lbs)
GROSS VEHICLE WEIGHT	590 kg (1300 lbs)
GROUND CLEARANCE	254 mm (10 in)
SPEED AND PERFORMANCE	
MAX. PAYLOAD	272 kg (600 lbs)
MAX. INCLINE	35 - 45°
MAX. SPEED	18 km/h (11 mph)
SUSPENSION	Geometric Passive Articulation
TRACTION	24" Argo tire (24" Turf tire or 12" wide Quad Track System optional)
BATTERY AND POWER SYSTEM	
BATTERY CHEMISTRY	AGM sealed lead acid (Li-ion optional)
CAPACITY	105 Ah at 48 V, expandable to 200 Ah with Li-ion option
CHARGE TIME	4 hrs
NOMINAL RUN TIME	Lead acid: 2.5 hrs Li-ion: 6 hrs
USER POWER	5 V, 12 V Fused (24 V, 48 V optional)
INTERFACING AND COMMUNICATION	
CONTROL MODES	Remote control, Computer controlled velocity commands (v, θ), Indoor/outdoor autonomy packages
FEEDBACK	Battery voltage, motor currents, wheel odometry, control system status, temperature, safety status
COMMUNICATION	Ethernet, USB, Remote Control, Wi-Fi
DRIVERS AND APIS	Packaged with ROS Indigo (includes RViz, Gazebo support), Matlab API available
INCLUDED HARDWARE	IMU, encoders, Onboard computer, E-Stop (hardware loop), E-Stop (software loop), removable mounting plates, bilge pumps, brakes
ENVIRONMENTAL	
OPERATING AMBIENT TEMPERATURE	-20 to 40 °C (-4 to 104 °F)
STORAGE TEMPERATURE	-40 to 50 °C (-40 to 122 °F)
IP RATING	IP67 - Vehicle is designed to float and should not be fully submerged
AMPHIBIOUS	Fully amphibious, 4 km/h (2.4 mph) maximum water speed*

Contact us today for pricing and a free 30 minute technical assessment: 1-800-301-3863